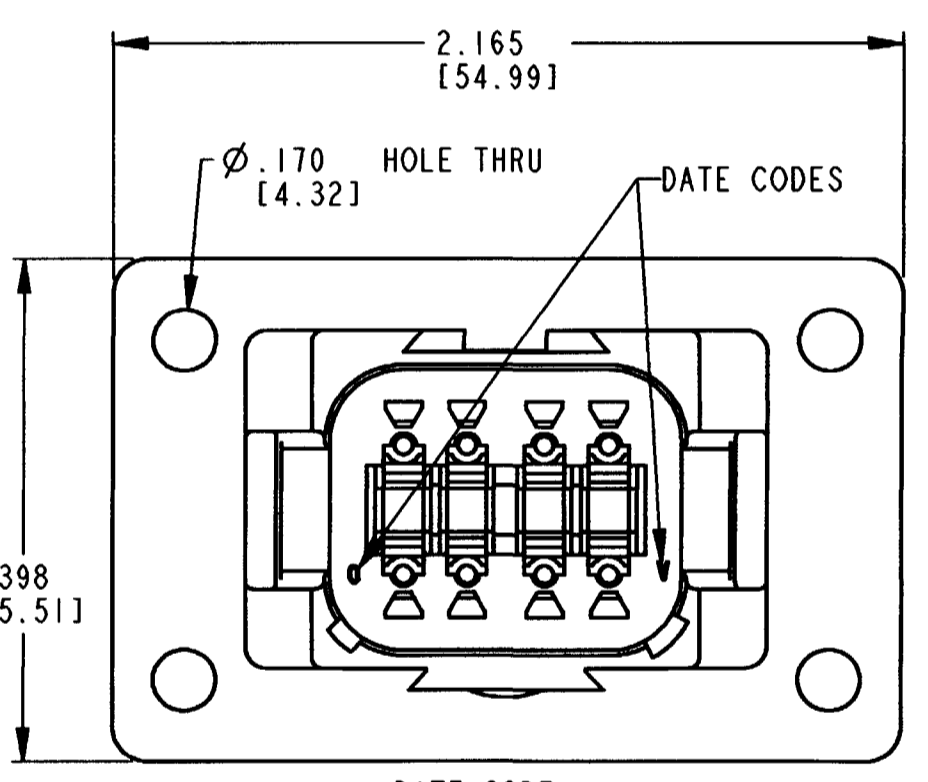
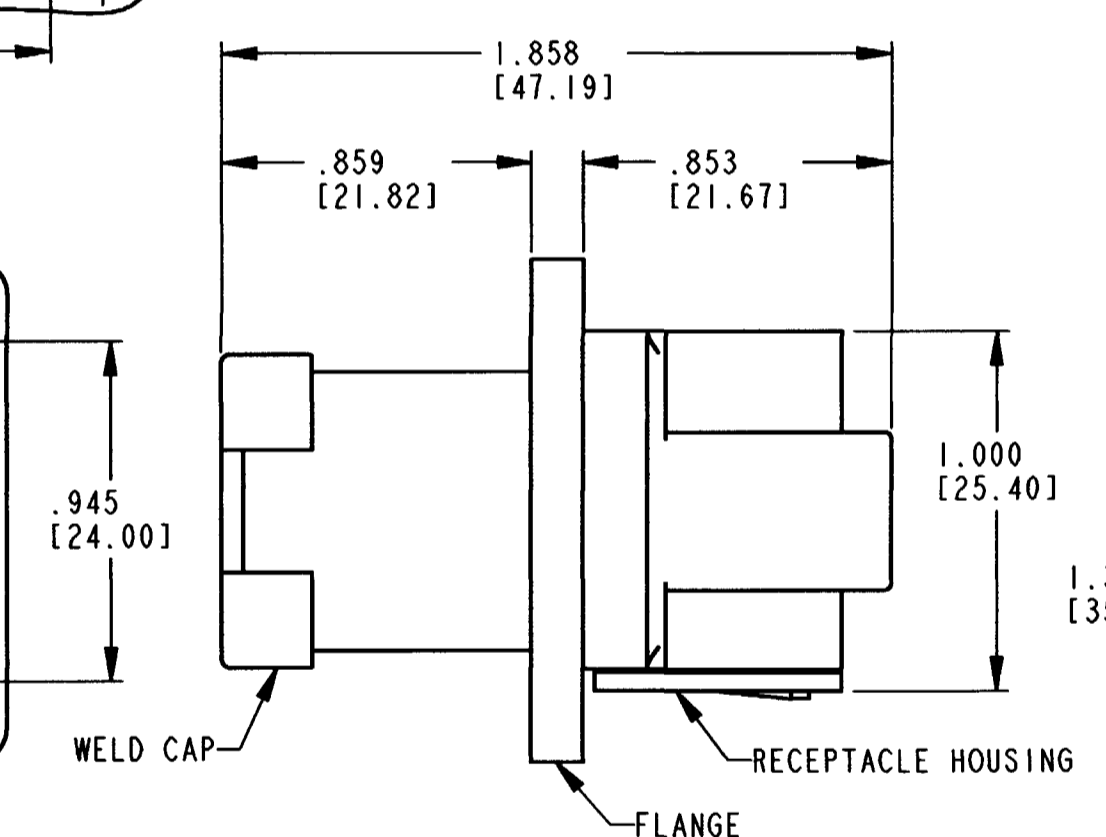
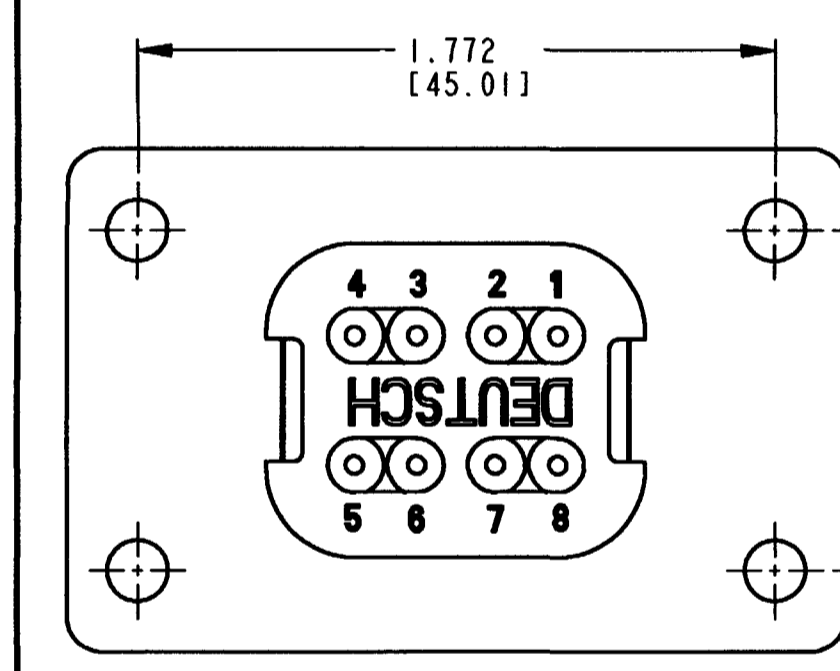


REVISIONS			
SYM	DESCRIPTION	DATE	APPROVED
NC	NEW RELEASE PER E.O. P16688	5/31/00	R.D.R.
A	REVISED PER E.O. P19710	1/22/08	R.D.R.
B	REVISED PER E.O. P19896	6-16-08	<i>[Signature]</i>

CONTACT SIZE	MIN. INSUL O.D.	MAX. INSUL O.D.	WIRE RANGE [mm <sup>2</sup> ]
16	.088 [2.23]	.145 [3.68]	14-20 AWG [2.0-0.5]



5. MATERIAL - SHELL: PLASTIC; SEAL: RUBBER.
4. THIS RECEPTACLE MATES WITH DT06-08PA-\*\*\*\* (\*\*\*\* = ALL MODIFICATIONS). CONSULT FACTORY FOR MODIFICATIONS.
3. FOR CONTACTS AND WIRE PERFORMANCE AND APPLICATION CHARACTERISTICS SEE ENVELOPE DRAWING 0425-015-0000 AND 0425-017-0000.
2. DIMENSIONS ARE ±.025[0.63] UNLESS OTHERWISE SPECIFIED.
- NOTES: 1. DIMENSIONS ARE IN INCHES [MILLIMETERS].

-DATE CODE-  
MONTH IS REPRESENTED BY SEQUENTIAL ALPHA CHARACTERS. EX: A=JANUARY  
YEAR IS REPRESENTED BY LAST DIGIT. EX: 0=2000.

SIGNATURE & DATE		8 WAY RECEPTACLE W/ FLANGE & WELD CAP -A- KEY COLOR: BLACK DT SERIES	EP	
DR	S. THEIS 5/22/00		MATERIAL CODE	
CHK	<i>[Signature]</i> 6/13/08		3850 INDUSTRIAL AVE. HEMET, CA 92545	
PE	<i>[Signature]</i> 6/11/08		DEUTSCH INDUSTRIAL	
APPD	<i>[Signature]</i> 6-11-08	ENVELOPE		<b>B</b> DT04-08PA-LE11 DWG SIZE CODE 11139 SHEET   OF
SCALE	NONE WT			